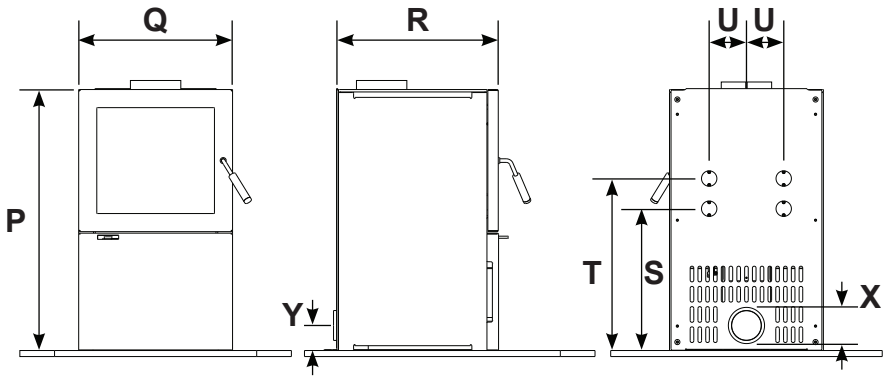
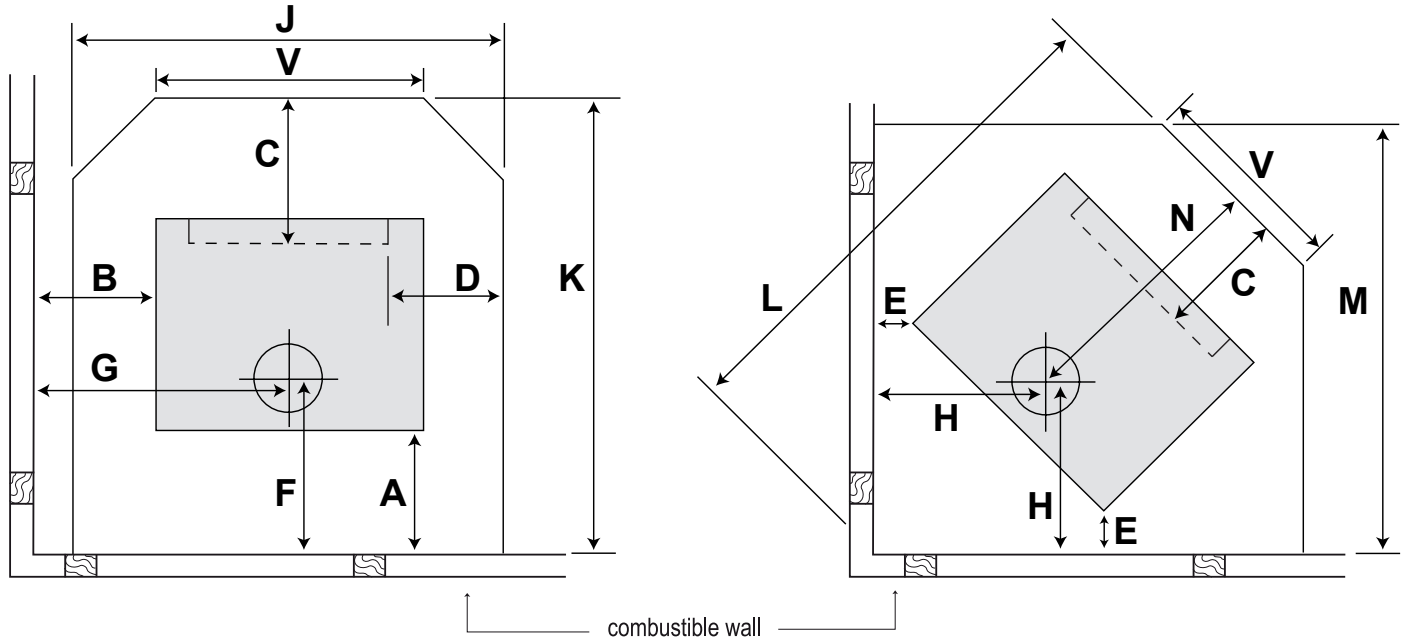


FREESTANDING SPECIFICATIONS
PAGE 1 OF 2



- A = Rear wall to rear heat shield
 - B = Side wall to side edge of top plate
 - C = Door seal lip (firebox) to the front of the floor protector
 - D = Door seal lip (firebox) to the side of the floor protector
 - E = Wall to rear corner of top plate
- All dimensions are in millimetres.

Minimum clearance requirements to combustible surface with 790mm Maxen MKIII double skin flue shield

A	B	C	D	E	F	G	H	J	K	L	M	N	P	Q	R	S	T	U	V	X	Y
100	380	300	200	130	250	635	411	800	917	1247	1024	667	865	510	536	460	560	123.5	400	99	83

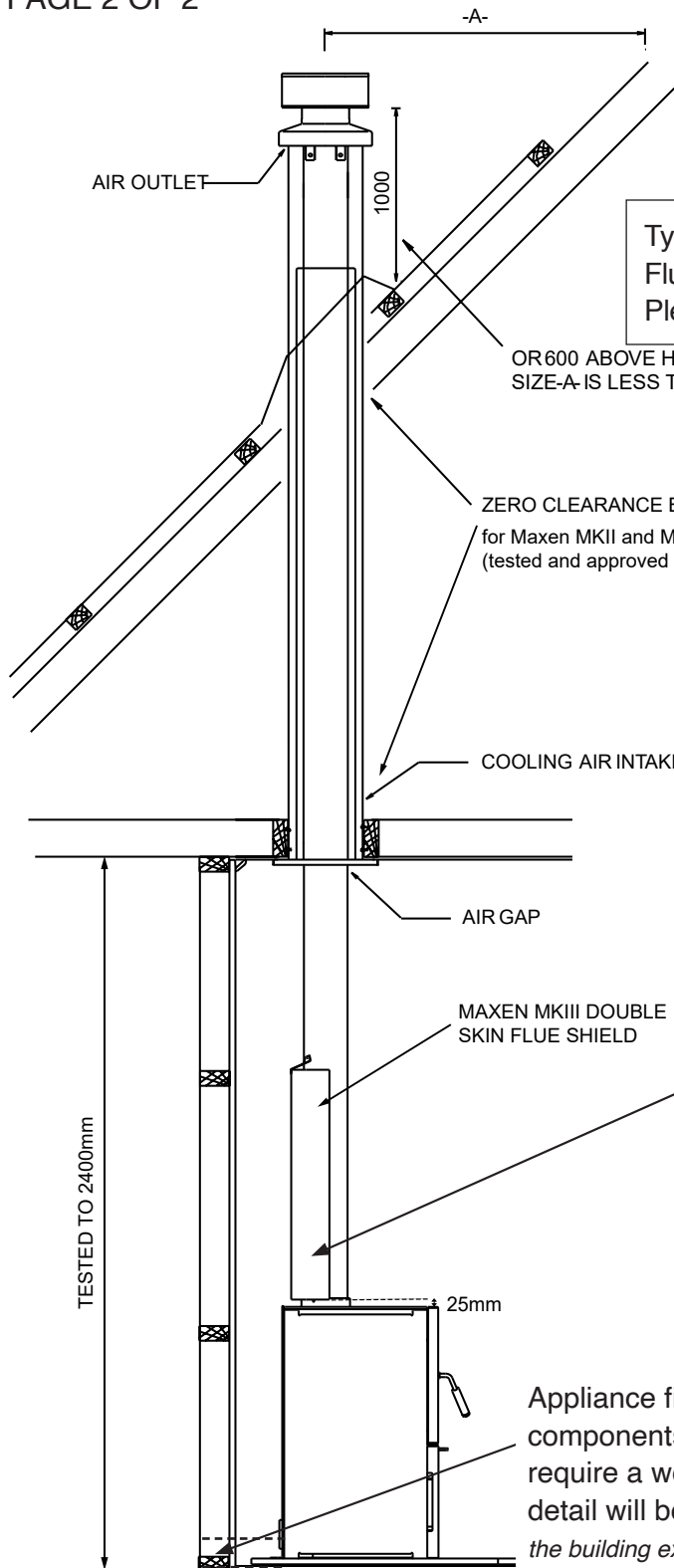
Model	Water Heating Option	Floor Protector	ULEB Emissions	ULEB Efficiency	ULEB Emission Factor
Cargill 350-D (ULEB)	Not available	Non insulated	0.39g/kg	65%	30.6mg/MJ
Cargill 350-D (Rural)	Maxen 3.1kW	Non insulated	—	—	—

THIS APPLIANCE HAS BEEN TESTED TO AS/NZS 2918:2001 appendix B. The minimum clearance to combustible surface may be reduced if heat shielding is installed in line with AS/NZS 2918:2001.

Clean Air Authorisation Numbers:

Appliance	LEB	ULEB
Cargill 350-D	240619	240589
Cargill 350 (Rural)	NA	NA

FREESTANDING SPECIFICATIONS
PAGE 2 OF 2



Typical installation shown complies with AS/NZS 2918:2001. Flue and roof specifications are recommendations only. Please follow Maxen Flue Kit installation instructions.

- NOTE:**
- Flue pipes shall be Ø150mm (Ø6”).
 - Flue pipe shall extend no less than 4600mm above the top of the floor protector.
 - For optimum performance the flue system should be vertical and have no bends.
 - Any deviation from the above (eg: if the flue is excessively long or short) may alter the heaters performance and nullify the Maxen warranty. If in doubt contact your Maxen supplier.

Maxen MKIII double skin flue shield requires a 25mm gap between the top of the heater and the bottom of the shield

Floor protector specs – New Zealand minimum non insulated floor protector only.

A provision has been made at the rear of the pedestal for seismic restraint by bolting through the two holes provided.

Appliance fitted with external air supply: Penetrations through building components shall comply with all building regulations. *Wall penetrations require a weatherproof cowl to be fitted. Cowl type and penetration detail will be dependent on the building and its cladding. (section 1.3 of the building exemption guide for schedule 1 of the building act and MBIE acceptable solutions and verification methods may give suitable guidance. Note, the building termination component purchased may post date the acceptable solutions guidance.)

*Floor penetrations may require mesh for rodent prevention.

IF INSTALLED IN ACCORDANCE WITH THESE SPECIFICATIONS THE HEATER COMPLIES WITH AS/NZS 2918:2001.

MAXEN FIREPLACES RESERVE THE RIGHT TO CHANGE SPECIFICATIONS OR DESIGNS WITHOUT PRIOR NOTICE.